

**Models 1400, 1442, 1442E, 1444, 1444E
PowerLuber Grease Gun
Series "B"**



Note: Extra battery only included on Models 1444 and 1444E

Patent Pending



GENERAL SAFETY RULES - FOR ALL BATTERY OPERATED TOOLS
WARNING! READ AND UNDERSTAND ALL INSTRUCTIONS.

Failure to follow all instructions listed below, may result in electric shock, fire and/or serious personal injury.
SAVE THESE INSTRUCTIONS.

Work Area

Keep your work area clean and well lit. Cluttered benches and dark areas invite accidents. Do not operate power tools in explosive atmospheres, such as in the presence of flammable liquids, gases, or dust. Power tools create sparks which may ignite the dust or fumes.

Keep bystanders, children, and visitors away while operating a power tool. Distractions can cause you to lose control.

Electrical Safety

Do not abuse the cord. Never use the cord to carry the tool. Keep cord away from heat, oil, sharp edges, or moving parts. Replace damaged cords immediately. Damaged cords may create a fire. Applies only to tools with a separable battery pack.

A battery operated tool with integral batteries or a separate battery pack must be recharged only with the specified charger for the battery. A charger that may be suitable for one type of battery may create a risk of fire when used with another battery.

Use battery operated tool only with specifically designated battery pack. Use of any other batteries may create a risk of fire.

Personal Safety

Stay alert, watch what you are doing, and use common sense when operating a power tool. Do not use tool while tired or under the influence of drugs, alcohol, or medication. A moment of inattention while operating power tools may result in serious personal injury.

Dress properly. Do not wear loose clothing or jewelry. Contain long hair. Keep your hair, clothing, and gloves away from moving parts. Loose clothes, jewelry, or long hair can be caught in moving parts.

Avoid accidental starting. Be sure switch is in the locked or off position before inserting battery pack. Carrying tools with your finger on the switch or inserting the battery pack into a tool with the switch on invites accidents. Remove adjusting keys or wrenches before turning the tool on. A wrench or a key that is left attached to a rotating part of the tool may result in personal injury.

Do not overreach. Keep proper footing and balance at all times. Proper footing and balance enable better control of the tool in unexpected situations.

Use safety equipment. Always wear eye protection. Dust mask, non-skid safety shoes, hard hat, or hearing protection must be used for appropriate conditions.

Tool Use and Care

Use clamps or other practical way to secure and support the workpiece to a stable platform. Holding the work by hand or against your body is unstable and may lead to loss of control.

Do not force tool. Use the correct tool for your application. The correct tool will do the job better and safer at the rate for which it is designed. Do not use tool if switch does not turn it on or off. A tool that cannot be controlled with the switch is dangerous and must be repaired. Disconnect battery pack from tool or place the switch in the locked or off position before making any adjustments, changing accessories, or storing the tool. Such preventive safety measures reduce the risk of starting the tool accidentally.

Store idle tools out of reach of children and other untrained persons. Tools are dangerous in the hands of untrained users. When battery pack is not in use, keep it away from other metal objects like: paper clips, coins, keys, nails, screws, or other small metal objects that can make a connection from one terminal to another. Shorting the battery terminals together may cause sparks, burns, or a fire.

Maintain tools with care. Keep cutting tools sharp and clean. Properly maintained tools with sharp cutting edge are less likely to bind and are easier to control.

Check for misalignment or binding of moving parts, breakage of parts, and any other condition that may affect the tool's operation. If damaged, have the tool serviced before using. Many accidents are caused by poorly maintained tools.

Use only accessories that are recommended by the manufacturer for your model.

Accessories that may be suitable for one tool may create a risk of injury when used on another tool.

Service

Tool service must be performed only by qualified repair personnel. Service or maintenance performed by unqualified personnel may result in a risk of injury.

When servicing a tool, use only identical replacement parts. Follow instructions in the Maintenance section of this manual. Use of unauthorized parts or failure to follow Maintenance Instructions may create a risk of shock or injury.

Safety

Read and carefully observe these operating instructions before unpacking and operating PowerLuber. Operate PowerLuber only after safety instructions and this operation manual are fully understood.

WARNING

Never operate PowerLuber in explosive atmosphere. Electric power tools can create sparks which may ignite flammable liquids, dust or fumes.

Do not use battery charger in damp or wet locations.

WARNING

Grease gun can develop high pressure - up to 7,000 PSI (476 Bar). Use safety glasses and gloves for protection during operation. Keep hands clear of the exposed rubber portion of hose.

WARNING

Extreme pressure may cause nozzle extension or whip hose to burst. Use only Lincoln APPROVED hoses and follow whip hose instructions and warnings.

General Description

The Lincoln PowerLuber is a fully battery operational, automatic grease gun. The gun was developed for manual lubrication of the grease points and includes a circuit breaker to stop motor at excessive pressure (7000 PSI or 476 Bar) in the case of a blocked bearing, fitting or lubrication line.

The PowerLuber is driven by a small, low voltage electric motor connected to a three-stage planetary gear transmission. The rotary motion of the motor is converted into a reciprocating motion of the plunger using a yoke mechanism. The PowerLuber is a positive displacement single acting pump.

Appropriate use

The PowerLuber was exclusively designed to pump and dispense lubricant using 14.4 volt battery power.

The maximum specification ratings should not be exceeded.

Any other use not in accordance with instructions will result in loss of claim for warranty or liability.

Specifications

Basic PowerLuber Model 1400

Operating Power, Volt	14.4
Maximum Operating Pressure, PSIG (bar)	
- Low Output -	7,000 (476)
- High Output -	3,000 (204)
Grease Reservoir Capacity, oz. (g)	14.5 (411)
Operating Temperature Range, °F (°C)	0 to 120 (-18 to +50)
Operating Current, Amp	4.0
Lubricant (Grease)	Up to NLGI #2
Grease output oz./min. (gram/min)	
- Low Output (L)	3.8 (108)
- High Output (H)	8.5 (241)
Weight, Lbs. (Kg)	8.0 (3.6)

Accessories:

Battery NiCd Model 1401	
Output, VDC	14.4
Capacity, mAh	1700
Battery Charger Model 1410	
Charge time	1 Hour
Input, VAC (2.0 A)	120 V, 60 Hz
Model 1410E (for use in Europe)	
Input, VAC, (1.0 A)	220 V, 50 Hz
Outlet Hose Model 1230	
Pressure Rating, psi (Bar)	7,500 (510)
Length of the Hose, In (mm)	30 (760)
Hydraulic Coupler	for grease fittings
Carrying case model	material: Polyethylene

NOTE: Operating current and grease output data at 1,000 PSI (69 bar).

Models and Components

Sales Model	Basic PowerLuber	Battery	Charger	Case
1442	1400	1401	1410	1402
1442E	1400	1401	1410E	1402
1444	1400	1401(2)	1410	1402
1444E	1400	1401(2)	1410E	1402

Models 1400, 1442, 1442E, 1444, 1444E PowerLuber Grease Gun

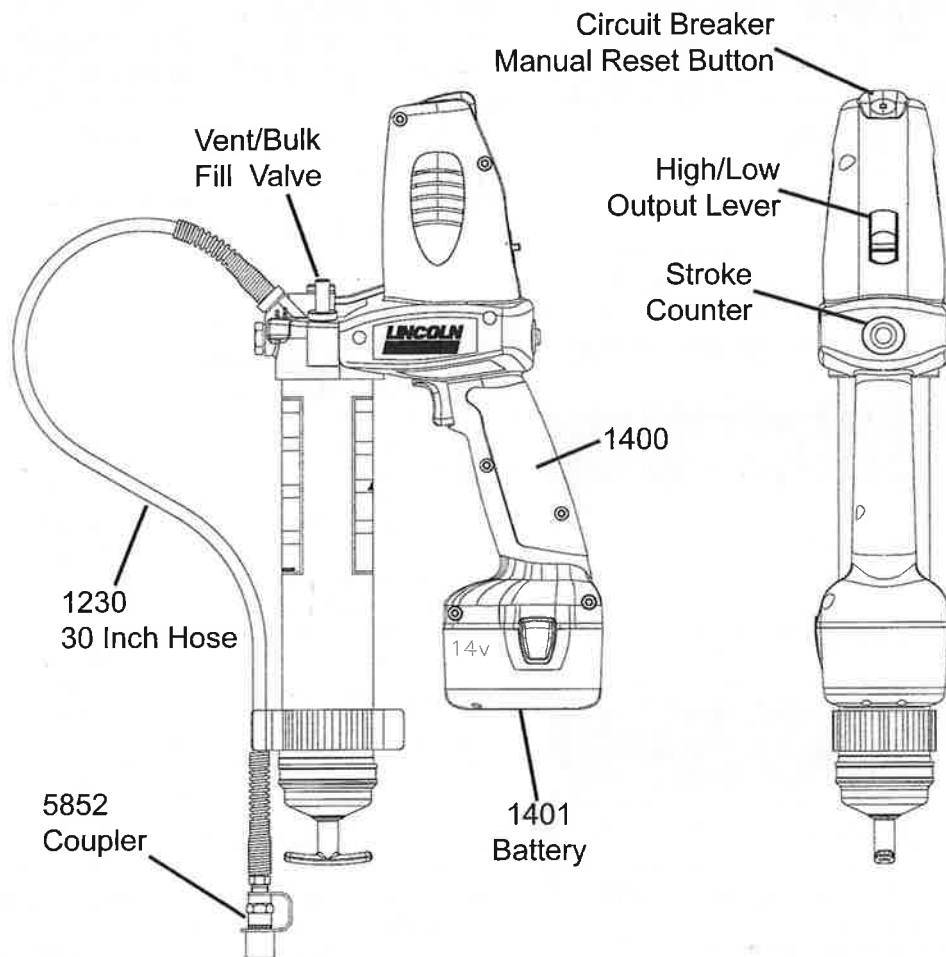


Figure 1

Circuit Breaker

To prevent motor from overload circuit breaker will stop the motor when operating pressure exceeds 7,000 PSIG (476 bar). Manual press-to-reset red color button will pop up, see Fig 1. To reset push the red button after waiting for 5 to 10 seconds.

The circuit breaker also is an indication of the bearing or lubrication line conditions. If the red button is popping out this is an indication of clogged or tight bearing, clogged grease fitting or blocked lubrication line. Correct this before resetting and continue lubrication with PowerLuber.

Changing "L" or "H" Mode

⚠ CAUTION

To prevent damage to the transmission gears, stop the motor running before changing the "L" or "H" mode.

To change the mode of operation:

"L" (low output/high pressure)

"H" (high output/low pressure)

When motor is not running, push the red lever (Fig. 1) until letter "L" or "H" will be completely visible in the window.

In case the red lever is not completely shifted/engaged, hold this lever and start the tool.

High output is recommended if the tool is used to lubricate large bearings not requiring high pressure, beyond 3,000 PSIG (204 bar). Also, high output is recommended if tool is used to refill small reservoirs of the automatic lubrication systems.

Low output is recommended if the tool is used in construction, mining applications and general lubrication. Low output will provide the maximum pressure of up to 7,000 PSIG (476 bar) the tool is capable of producing.

Stroke counter

The tool is equipped with capability for calibration. This is accomplished by measuring (weighing) grease flow output and dividing the weight of grease by number of strokes. Simply put your thumb on the stroke counter button, Fig. 1 during operation of the tool and count.

Some OEM's are recommending the exact amount of grease to lubricate critical bearings. By counting the strokes you will know how much grease has been dispensed to lubricate the bearing. Here is the table of the grease output vs. number of strokes.

Stroke count	Output/stroke	
	oz.	gram
10	0.20	5.7
15	0.30	8.5
20	0.40	11.4

Note: Lincoln is recommending this feature only on low output/high pressure mode.

PERSONAL SAFETY

1. Always wear eye protection. The PowerLuber can generate up to 7,000 psi (476 bar).
2. Use only Lincoln 1218, 1224, 1230 or 1236 outlet whip hoses. Grease injection injuries are a very serious injury. Hold the hose only in the area of the spring guard.
3. Avoid accidental starting. Be sure switch is not depressed when inserting battery pack.
4. Do not bend the hose so that it becomes kinked.
5. Replace the hose at the first sign of wear, kink or damage to the outside jacket.

USE AND CARE

1. Do not continue to hold down trigger if grease gun is stalled. This could damage the motor or cause fire.
2. When battery pack is not in use, keep it away from other metal objects like: paper clips, coins, keys, nails, screws, or other small metal objects that can make a connection from one terminal to another. Shorting battery terminals together may cause sparks, burns, or a fire.
3. Use only accessories that are recommended for use with the Lincoln PowerLuber. This tool is a fully rated portable power lubrication product, only accessories that are capable of handling 7,000 psi (476 bar) should be used.

SERVICE

1. Service must be performed only by qualified repair personnel. Service or maintenance performed by unqualified personnel may result in a risk of injury.
2. When servicing a PowerLuber, use only Lincoln replacement parts. Use of unauthorized parts may create risk of injury and will void the warranty.

INSPECTION

Visually inspect for damaged, loose or missing parts. If equipment is worn or damaged, remove from service. Contact an authorized service center for damage assessment or repair.

OPERATION

Prime the PowerLuber after each refill or grease cartridge change. Prime the gun before using it to lubricate grease points.

To prime, operate the gun until grease flows from the hose. Use vent valve (Figure 1, page 3) to expel air pockets.

CAUTION

Air pockets in the cartridge lubricant will cause the gun to lose its prime.

Removing Empty Grease Cartridge

1. Pull back on the follower handle until the follower rod is fully extended and latch the follower rod groove into the slot on the tube cap.
2. Unscrew the grease tube assembly from the PowerLuber.
3. Carefully release the follower handle to eject the empty cartridge from container tube.

Installing Grease Cartridge

1. Visually check the follower seal lip direction before loading a new cartridge. The follower seal lip must be directed toward the follower handle or rear side for cartridge loading. See Fig. 2. To change the direction of the follower seal, unscrew tube cap from grease tube assembly and pull on the handle to remove follower seal from tube. Flip follower seal over and re-assemble.
2. Pull back on the follower handle and latch the follower rod groove into the slot on the tube cap.
3. Remove the plastic cap from the grease cartridge and insert cartridge into the container tube.

Models 1400, 1442, 1442E, 1444, 1444E PowerLuber Grease Gun



4. Remove the pull tab from grease cartridge and screw grease tube assembly into pump assembly.
5. Release follower rod from slot. Purge air from pump. See air purging instructions.

TO CONVERT GUN TO ALLOW FILLING FROM BULK CONTAINER OR FILLER PUMP

1. Unscrew the grease tube assembly cap from the grease tube assembly. Pull on the follower handle to extract the follower and spring from the grease tube assembly.
2. Grasp follower between thumb and forefinger and flip the follower lip from the rear to the front side.

NOTE. The follower resembles a cup. When the gun is assembled for use with bulk lubricant, the cup opens toward the pump assembly.

3. Reassemble follower into grease tube assembly and position with the follower handle so that the grease tube assembly cap can be tightened onto the container tube.

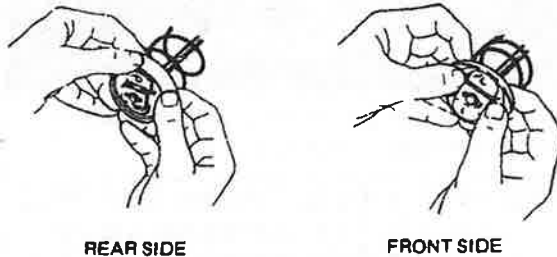


Figure 2

TO FILL THE GUN FROM BULK CONTAINER

1. Remove pump assembly from grease tube assembly.
2. Pack lubricant into cavity of the pump assembly.
3. Insert the open end of the grease tube assembly into lubricant. Slowly pull the follower handle back while pushing the grease tube assembly deeper into the lubricant to prevent air pockets from being pulled into the grease tube assembly.
4. When the follower rod is fully extended, pull it sideways to latch the rod groove into the keyhole slot in the grease tube assembly cap.
5. Loosely assemble the pump assembly to the grease tube assembly. Release the follower rod from the grease tube assembly cap and disengage the follower rod from the follower by rotating the follower handle. Push the follower rod into the grease tube assembly.

Slowly unscrew the grease tube assembly from the pump assembly until lubricant oozes from the interface. Tighten grease tube assembly into the pump assembly.

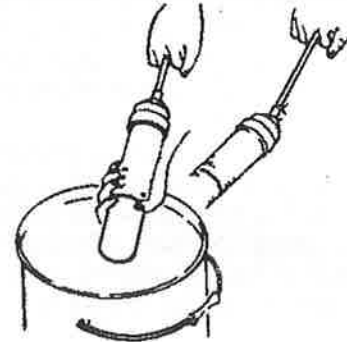


Figure 3

TO FILL THE GUN WITH A FILLER PUMP

Engage the follower rod with the follower by rotating the follower handle. Insert the gun vent/bulk fill valve into the filler pump socket. Operate the filler pump to fill the container. When the follower rod groove is exposed, the grease tube assembly is filled. The follower rod will be extended approximately 8 inches (20 cm). Disengage the follower rod from the follower by rotating the follower handle. Push the follower rod into the grease tube assembly.

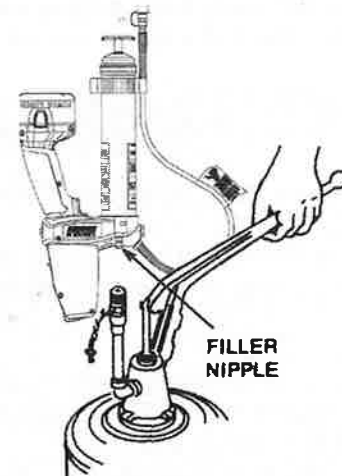


Figure 4

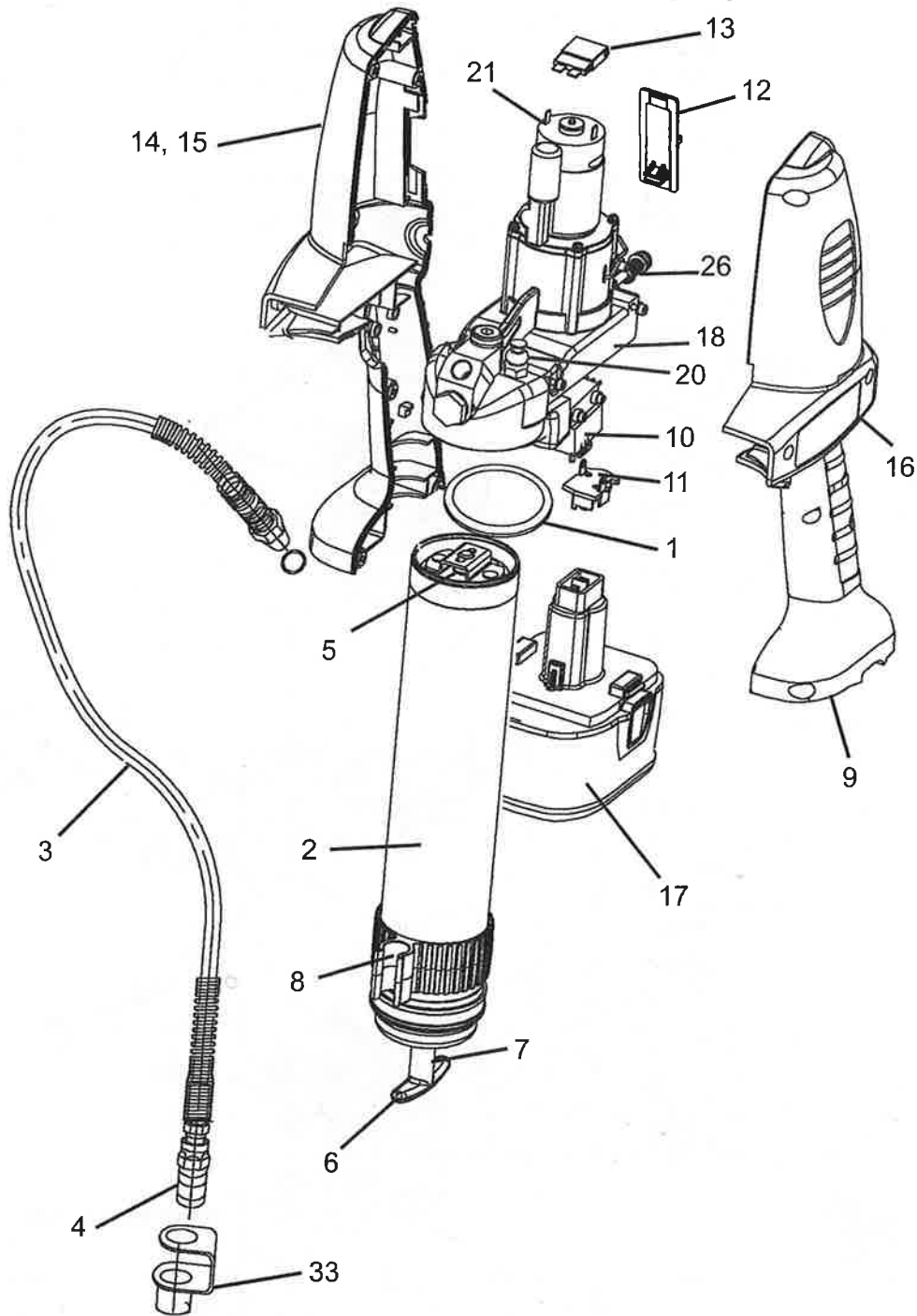


Figure 5

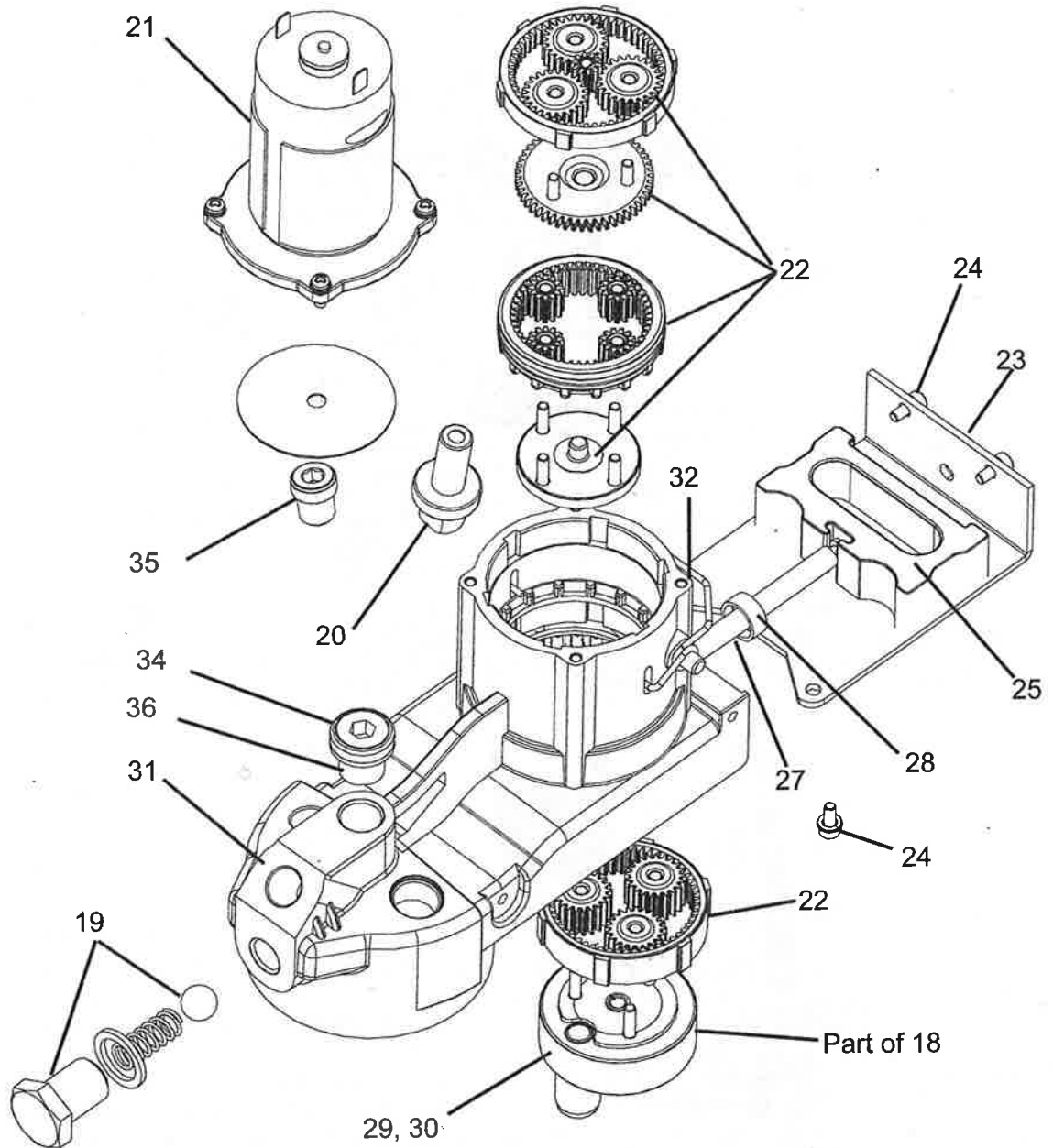


Figure 6



Models 1400, 1442, 1442E, 1444, 1444E PowerLuber Grease Gun

Service Parts List

Item	Description	Part Number	Assalub Part Number
1	Packing	271880	907237
2	Grease Tube Assembly	271882	907218
3	Flexible Hose 30" w/Gasket	1230	907127
4	Coupler	5852	
5	Follower Assembly Kit	286089	
6	Handle Kit	286090	
7	Rod, Follower Kit	286091	
8	Hose Clip Kit	286092	
9	Handle Assembly Kit	286094	
10	Trigger Kit	286095	907514
11	Terminal Assembly Kit	286096	
12	Gear Selector Kit	286097	
13	Circuit Breaker Kit	286098	907459
14	Handle Kit	286099	907513
15	Handle Hardware	286100	
16	Decal Kit	286101	
17	Battery 14.4 V	1401	907255
18	Pump Assembly Kit	286102	907516
19	Check Valve Kit	271885	
20	Vent Valve Kit	286134©	
21	Motor with Plate	286103	907436
22	Gear Set Kit	286104	907515
23	Pump Hardware	286105	
24	Cover Pump Kit	286106	
25	Yoke Kit	286107	
26	Stroke Indicator	286108	
27	Plunger Kit	286109	
28	Seal	271889	
29	Stud Kit	286110	
30	Roller	286111	
31	Housing Pump with Bearing	286112	
32	Spring Selector	286113	
33	Coupler Cap kit	286093	
34	Plug	286028	
35	1/8-27 NPT Screw	261227	
36	Gasket	31203	
--	Charger	1410	
--	Strap	1414	
--	Case	286066	

© Indicates change